



THOMAS MACHINERY LTD.
41 GRANGE ST.
GUELPH, ON
N1E 2T8, CANADA
PH. 519-824-2315 FAX 519-824-9691 www.thomach.ca

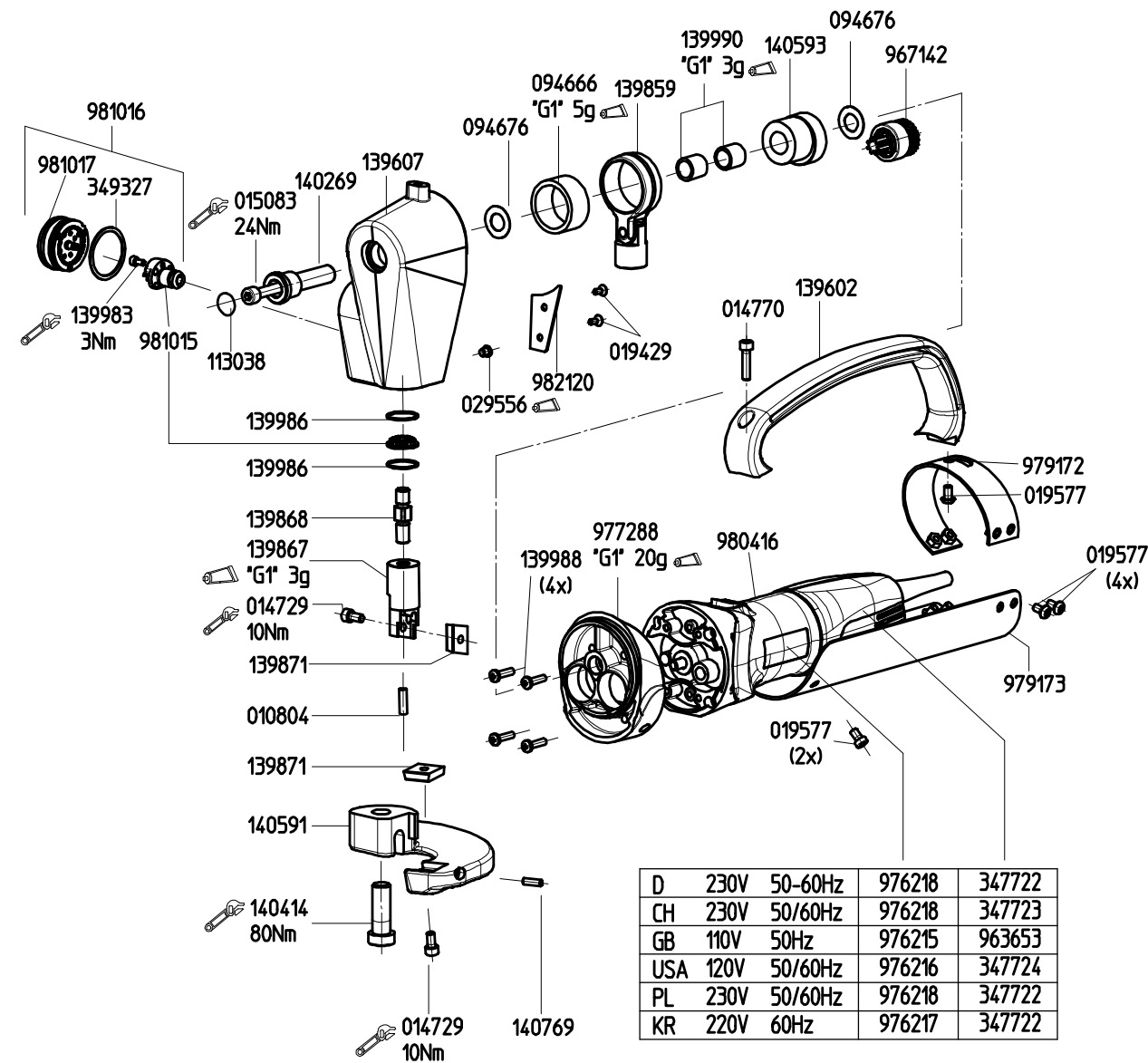
TRUMPF

VERSANDANSCHRIFT

ADDRESS

FAX-NO.

ADRESSE DU DESTINATAIRE



D	230V	50-60Hz	976218	347722
CH	230V	50/60Hz	976218	347723
GB	110V	50Hz	976215	963653
USA	120V	50/60Hz	976216	347724
PL	230V	50/60Hz	976218	347722
KR	220V	60Hz	976217	347722

Typ S350-4	Material-Nr.
D 230V 50-60Hz	976445
CH 230V 50/60Hz	976448
GB 110V 50Hz	976449
USA 115V 50/60Hz	976492
PL 230V 50/60Hz	976491
KR 220V 60Hz	976450



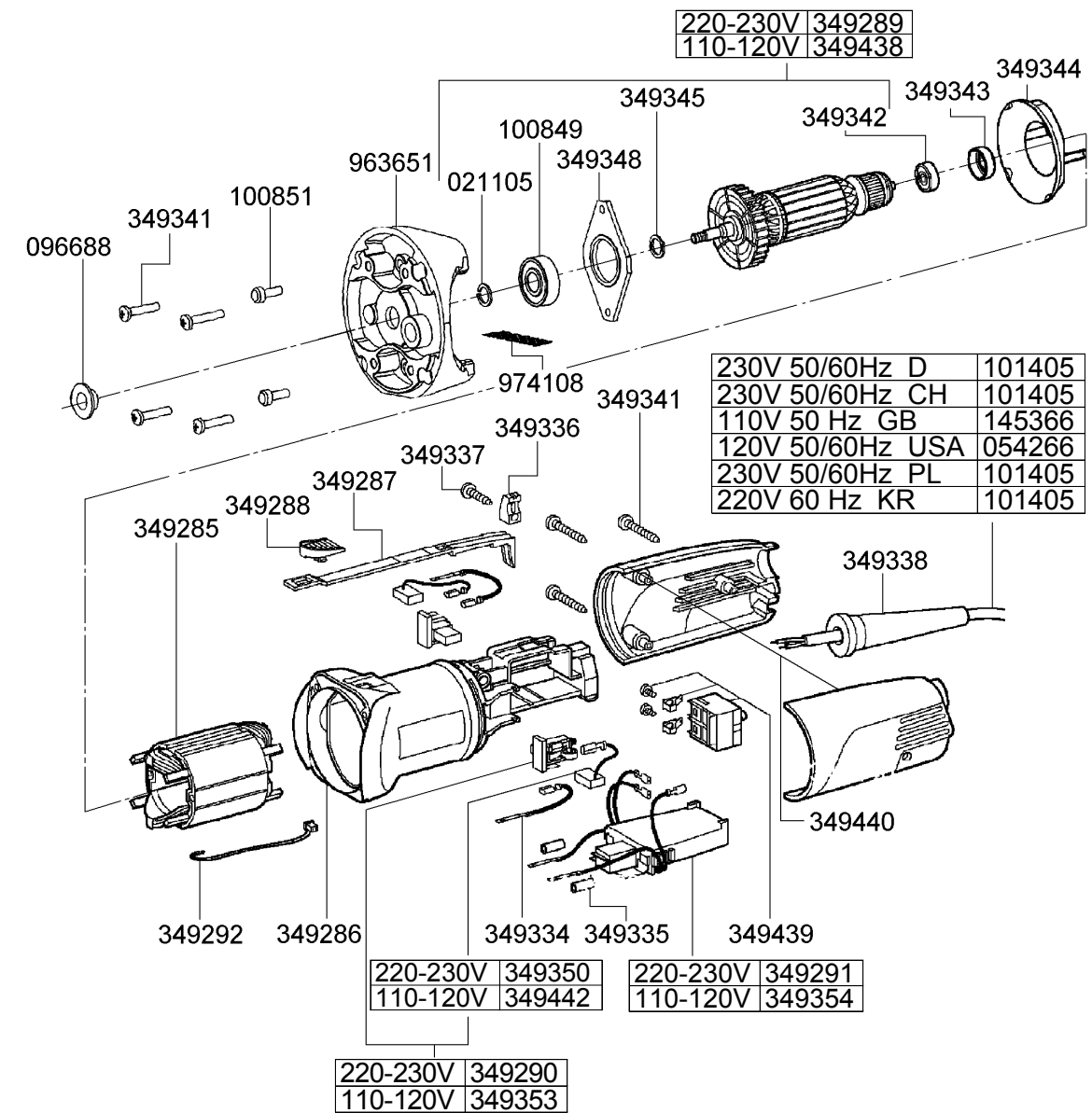
TRUMPF

VERSANDANSCHRIFT

ADDRESS

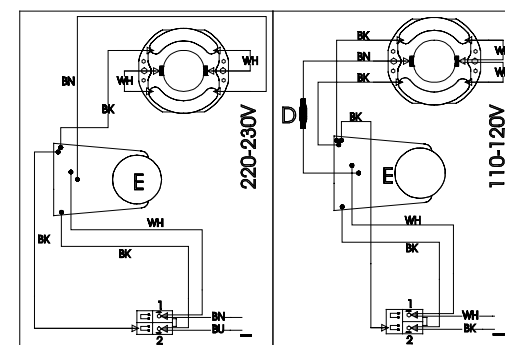
FAX-NO.

ADRESSE DU DESTINATAIRE



230V 50/60Hz D	101405
230V 50/60Hz CH	101405
110V 50 Hz GB	145366
120V 50/60Hz USA	054266
230V 50/60Hz PL	101405
220V 60 Hz KR	101405

220-230V	349350	220-230V	349291
110-120V	349442	110-120V	349354
220-230V	349290	110-120V	349353



Motor Typ 2	Material-No.
1400W 230V 50/60Hz D	347722
1400W 230V 50/60Hz CH	347723
1400W 110V 50 Hz GB	963653
1400W 120V 50/60Hz USA	347724
1400W 230V 50/60Hz PL	347722
1400W 220V 60 Hz KR	347722